

4

3

2

2

1

D

D

C

C

B

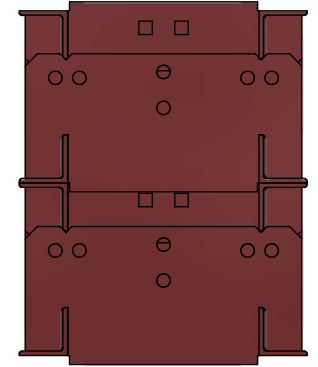
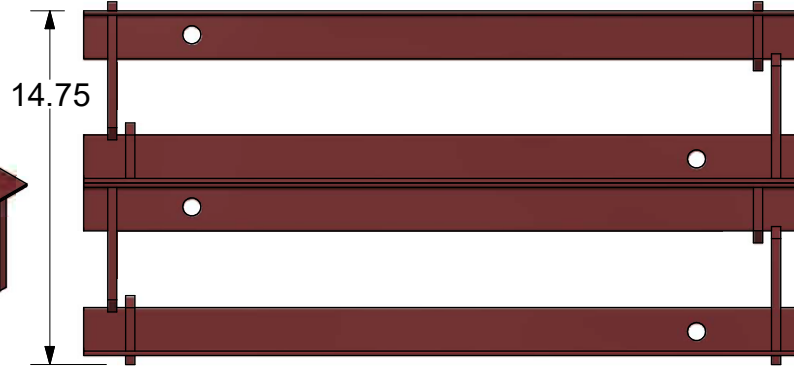
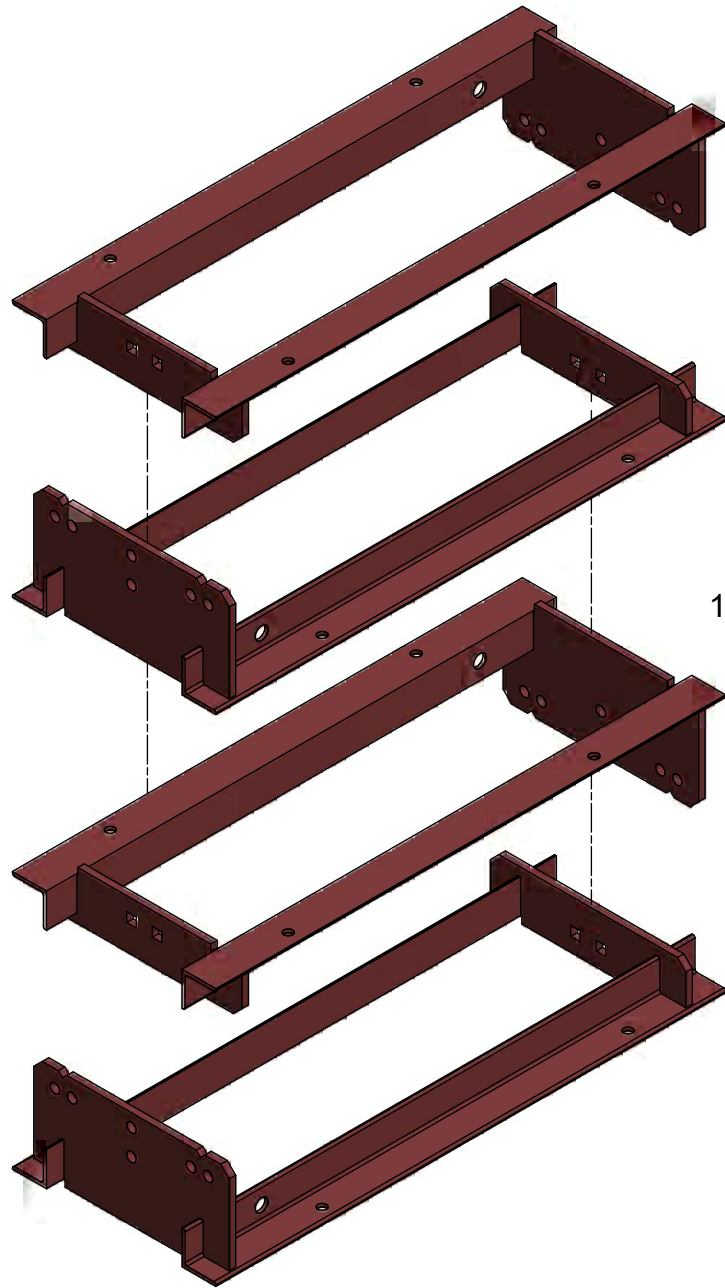
B

B

B

A

A



CONFIDENTIAL - THE INFORMATION CONTAINED IN THIS DOCUMENT IS THE PROPERTY OF RANGE MASTER STEEL. IT IS NOT FOR PUBLIC DISCLOSURE. POSSESSION OF THIS INFORMATION DOES NOT CONVEY THE RIGHT TO LOAN, SELL OR DISCLOSE THIS INFORMATION. UNAUTHORIZED REPRODUCTION OR USE OF THIS INFORMATION IS PROHIBITED. THIS DOCUMENT IS TO BE RETURNED TO RANGE MASTER STEEL UPON COMPLETION OF THE PURPOSE FOR WHICH IT WAS LOANED OR UPON REQUEST.

|                                    |  |                   |                            |       |
|------------------------------------|--|-------------------|----------------------------|-------|
| <b>HIRST<br/>DESIGN &amp; ENG.</b> | HEAT TREATMENT                                     |                   | ENG. REF:                  |       |
|                                    | TITLE <b>Assembly-Dwg<br/>Popper Stacked Bases</b> |                   |                            |       |
| DWN BY RBH 6/24/2016               | SIZE C   | ENGR. APPROVAL RH | DWG. NO. <b>BASE-STACK</b> | REV A |
| CK'D BY RH 6/24/2016               | SCALE 1/4  |                   | SHEET 1 OF 1               |       |

4

3

2

2

1