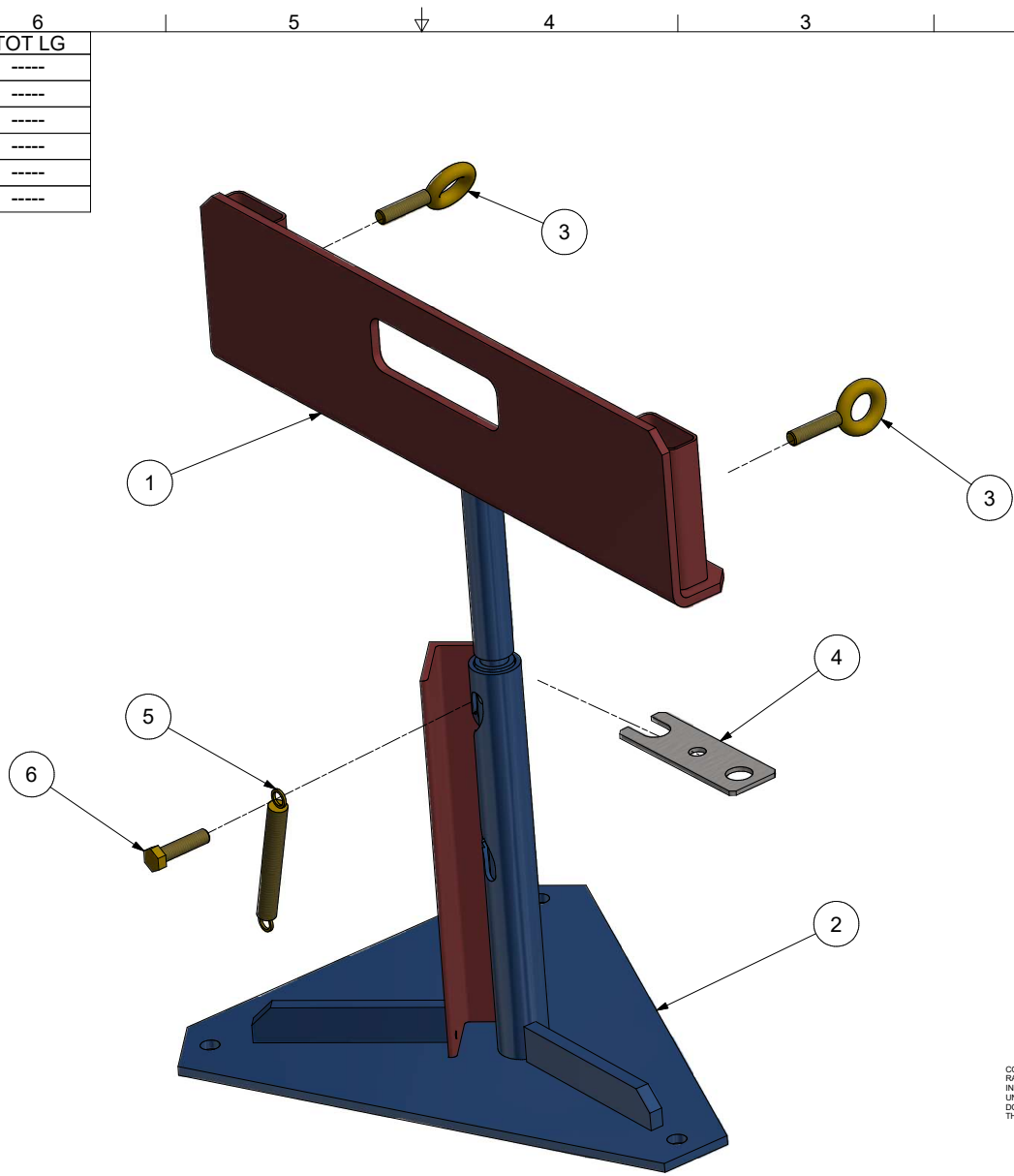


DET	QTY	DESCRIPTION	LENGTH	TOT LG
1	1	RMS006-MV (TARGET HLDER)	----	----
2	1	RMS007-MV (TURNER BASE)	----	----
3	2	3/8-16UNC X 2" EYELET	----	----
4	1	KEY (ACTIVATION)	----	----
5	1	1/2 X 4-1/2 EXT SPRING	----	----
6	1	3/8-16UNC X 2 BOLT	----	----



CONFIDENTIAL - THE INFORMATION CONTAINED IN THIS DOCUMENT IS THE PROPERTY OF RANGE MASTER STEEL. IT IS NOT FOR PUBLIC DISCLOSURE. POSSESSION OF THIS INFORMATION DOES NOT CONVEY THE RIGHT TO LOAN, SELL OR DISCLOSE THIS INFORMATION. UNAUTHORIZED REPRODUCTION OR USE OF THIS INFORMATION IS PROHIBITED. THIS DOCUMENT IS TO BE RETURNED TO RANGE MASTER UPON COMPLETION OF THE PURPOSE FOR WHICH IT WAS LOANED OR UPON REQUEST.

HIRST DESIGN & ENG.		HEAT TREATMENT	ENG. REF:
TITLE		ASSEMBLY DRAWING	
DRAWN BY		RMS002-MV-ASM	
DATE	SCALE	SHEET	REV
1/18/2017	2/3	1	A