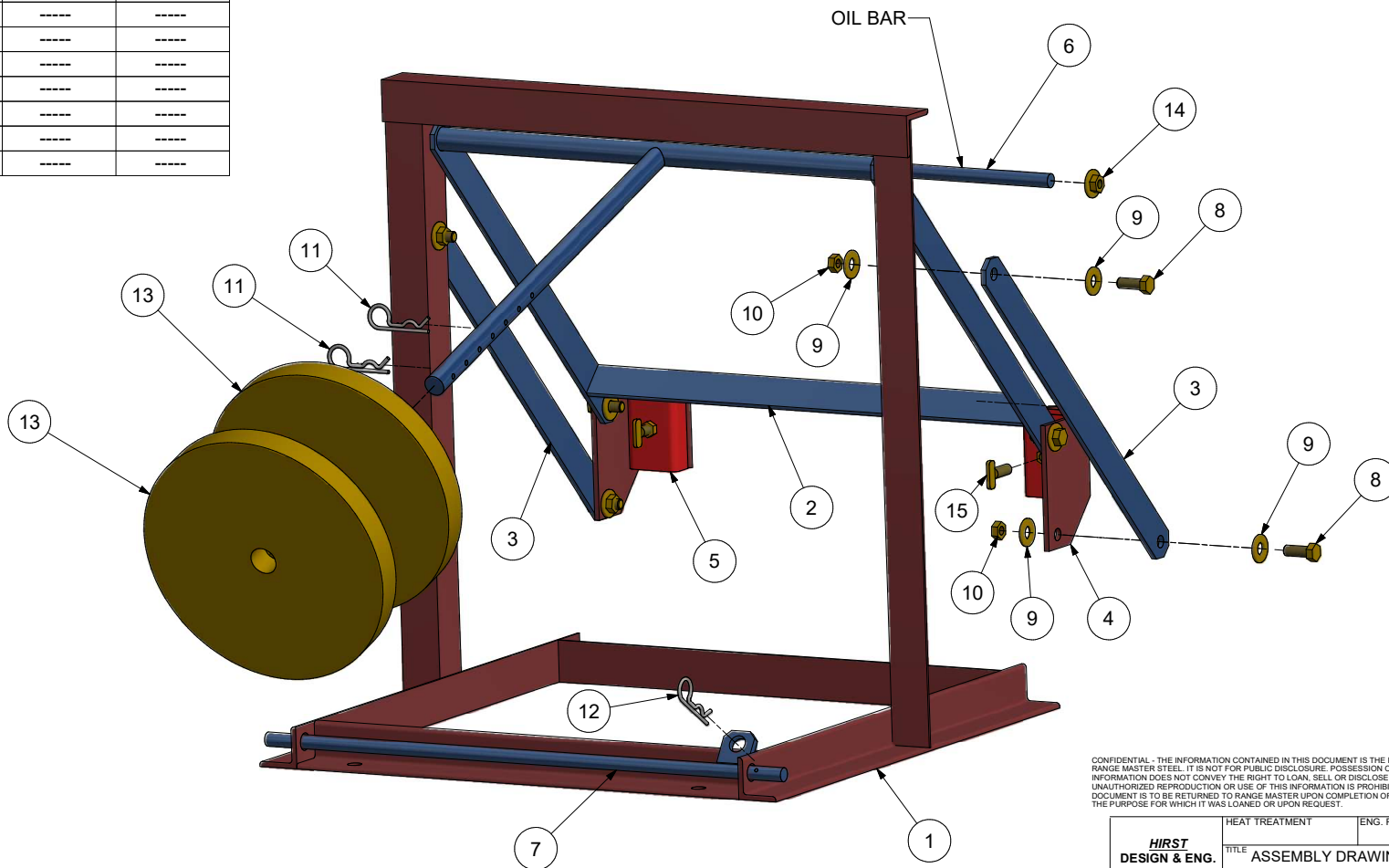


DET	QTY	DESCRIPTION	LENGTH	TOT LG
1	1	RMS015-MV (FRAME)	----	----
2	1	RMS017-MV (BOBBER)	----	----
3	2	RMS016-MV (GUIDE)	----	----
4	1	RMS019-MV (STICK HOLDER)	----	----
5	1	RMS024-MV (STICK HOLDER)	----	----
6	1	RMS018-MV (BAR)	----	----
7	1	RMS020-MV (TARGET PROP)	----	----
8	6	3/8-16UNC X 1.0 BOLT	----	----
9	12	3/8-16UNC PLAIN WASHER	----	----
10	6	3/8-16UNC LOCKNUT	----	----
11	2	5/32 HITCHPIN	----	----
12	1	3/32 HITCHPIN	----	----
13	2	10 LB WEIGHT	----	----
14	2	1/2 INCH ROD CAP	----	----
15	2	5/16-18UNC X 1.0 THUMB SC	----	----



CONFIDENTIAL - THE INFORMATION CONTAINED IN THIS DOCUMENT IS THE PROPERTY OF RANGE MASTER STEEL. IT IS NOT FOR PUBLIC DISCLOSURE. POSSESSION OF THIS INFORMATION DOES NOT CONVEY THE RIGHT TO LOAN, SELL OR DISCLOSE THIS INFORMATION. UNAUTHORIZED REPRODUCTION OR USE OF THIS INFORMATION IS PROHIBITED. THIS DOCUMENT IS TO BE RETURNED TO RANGE MASTER UPON COMPLETION OF THE PURPOSE FOR WHICH IT WAS LOANED OR UPON REQUEST.

HIRST DESIGN & ENG.		HEAT TREATMENT		ENG. REF:	
TITLE		ASSEMBLY DRAWING			
BOBBER ASSEMBLY					
DWN BY	RBH	9/3/2018	SCALE	1/2	SHEET 1 OF 1
CHKD BY	RH	9/3/2018	SCALE	1/2	SHEET 1 OF 1