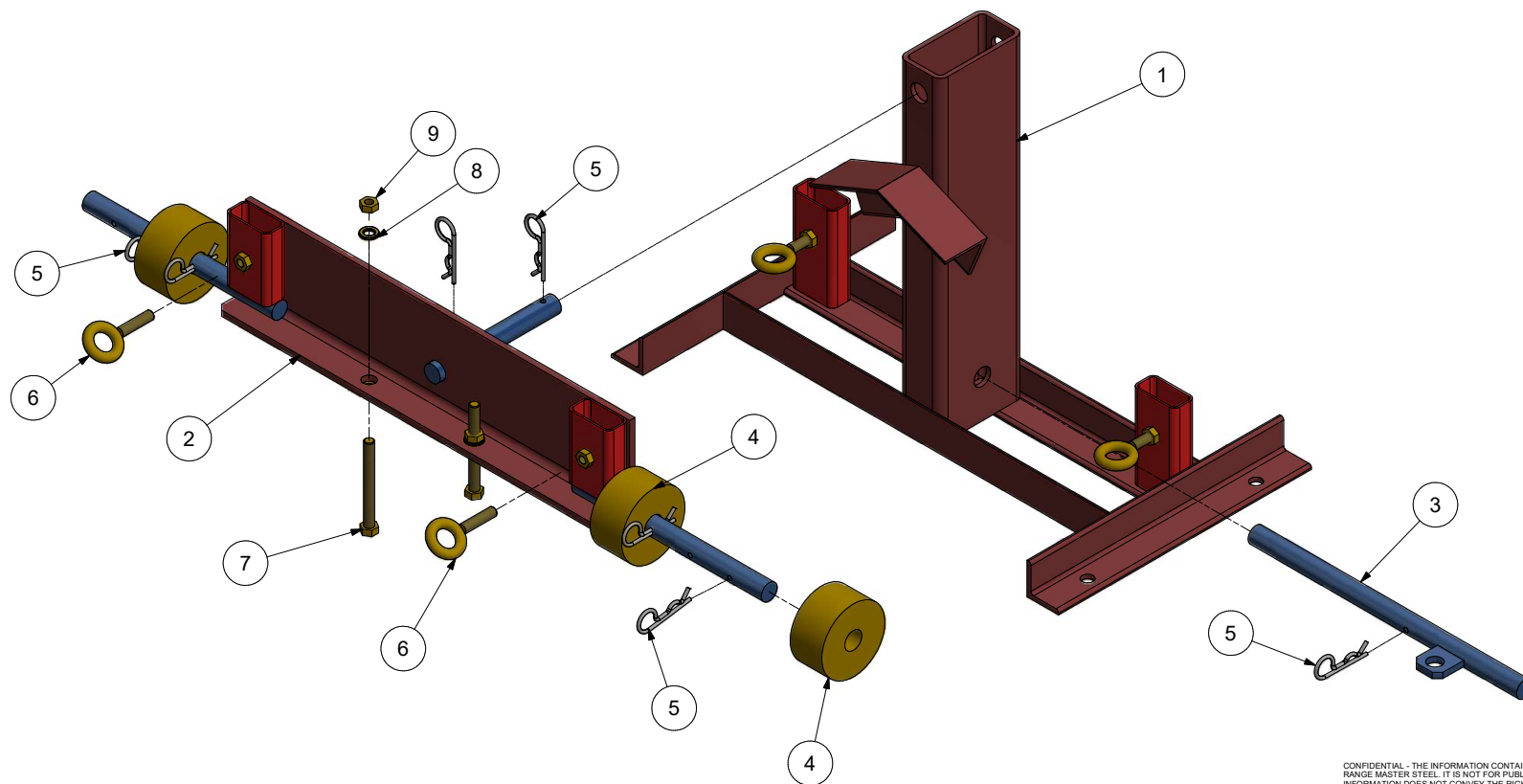


DET	QTY	DESCRIPTION	LENGTH	TOT LG
1	1	RMS013-MV (BASE)	----	----
2	1	RMS011-MV (TARGET TILT)	----	----
3	1	RMS014-MV (PROP ROD)	----	----
4	3	RMS012-MV (WEIGHT)	----	----
5	7	5/32 HITCH PIN	----	----
6	4	3/8-16UNC X 1" EYELET	----	----
7	2	3/8-16UNC X 3.5 CAR BOLT	----	----
8	2	3/8 LOCK WASHER	----	----
9	2	3/8-16UNC NUT	----	----



CONFIDENTIAL - THE INFORMATION CONTAINED IN THIS DOCUMENT IS THE PROPERTY OF RANGE MASTER STEEL. IT IS NOT FOR PUBLIC DISCLOSURE. POSSESSION OF THIS INFORMATION DOES NOT CONVEY THE RIGHT TO LOAN, SELL OR DISCLOSE THIS INFORMATION. UNAUTHORIZED REPRODUCTION OR USE OF THIS INFORMATION IS PROHIBITED. THIS DOCUMENT IS TO BE RETURNED TO RANGE MASTER UPON COMPLETION OF THE PURPOSE FOR WHICH IT WAS LOANED OR UPON REQUEST.

HIRST DESIGN & ENG.		HEAT TREATMENT		ENG. REF:	
TITLE		ASSEMBLY DRAWING			
TIP OUT ASSEMBLY					
DWN BY	RBH	3/7/2017	SCALE	1/2	SHEET 1 OF 1
CHKD BY	RH	3/7/2017	SCALE	1/2	SHEET 1 OF 1