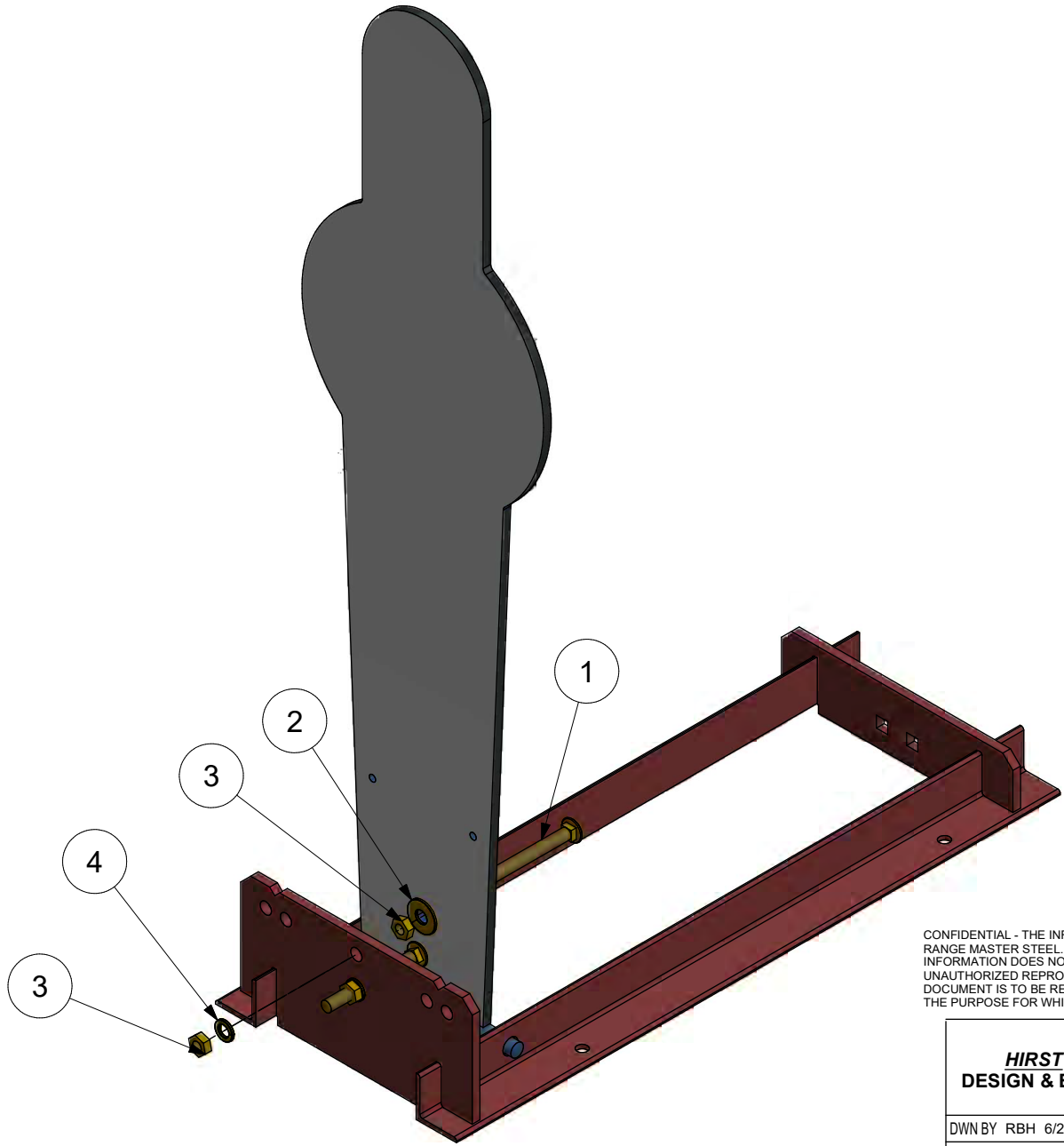


DET	QTY	DESCRIPTION	LENGTH	TOT LG
1	1	1/2 X 4.5 CARRIAGE BOLT	-----	-----
2	1	1/2 FLAT WASHER	-----	-----
3	2	1/2-13UNC NUT	-----	-----
4	1	1/2 LOCK WASHER	-----	-----



CONFIDENTIAL - THE INFORMATION CONTAINED IN THIS DOCUMENT IS THE PROPERTY OF RANGE MASTER STEEL. IT IS NOT FOR PUBLIC DISCLOSURE. POSSESSION OF THIS INFORMATION DOES NOT CONVEY THE RIGHT TO LOAN, SELL OR DISCLOSE THIS INFORMATION. UNAUTHORIZED REPRODUCTION OR USE OF THIS INFORMATION IS PROHIBITED. THIS DOCUMENT IS TO BE RETURNED TO RANGE MASTER STEEL UPON COMPLETION OF THE PURPOSE FOR WHICH IT WAS LOANED OR UPON REQUEST.

<b>HIRST DESIGN &amp; ENG.</b>	HEAT TREATMENT		ENG. REF:	
	TITLE Assembly-Dwg Popper Assembly Locked			
DWN BY RBH 6/24/2016	SIZE C	ENGR APPROVAL RH	DWG NO. popper-asm-locked	REV A
CK'D BY RH 6/24/2016	SCALE 1/3		SHEET 1 OF 1	